

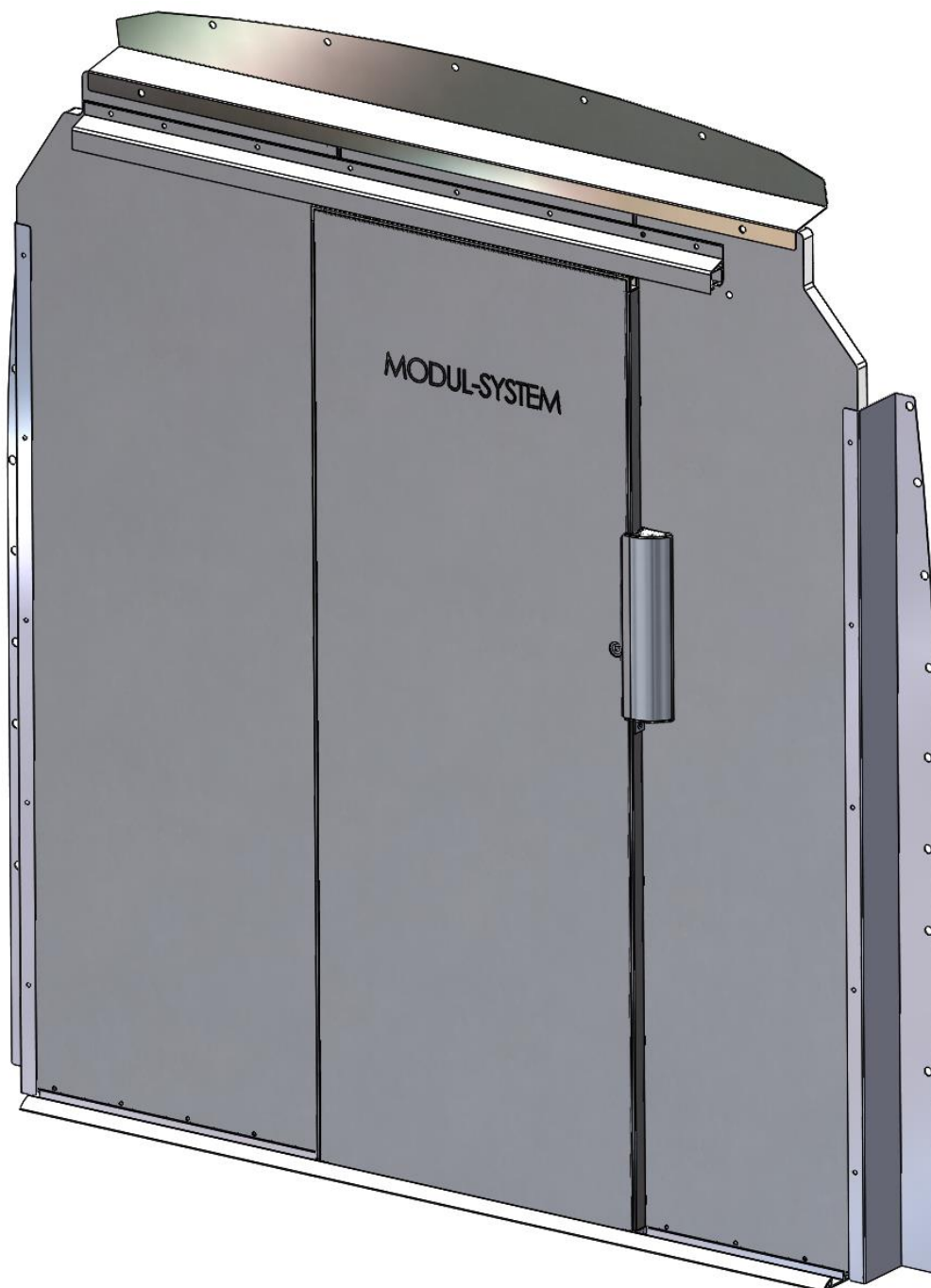
ASSEMBLY INSTRUCTION

SLIDING DOOR TRANSIT H2 EU

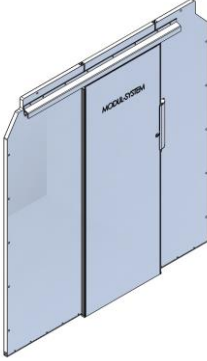
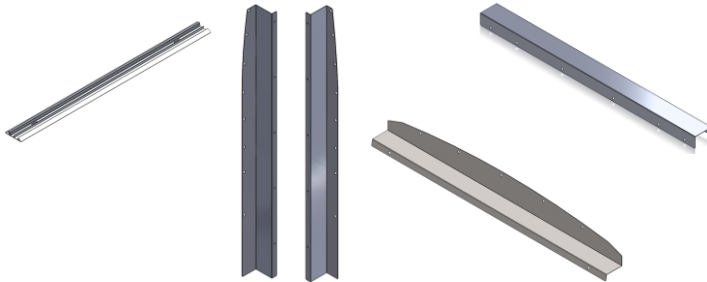







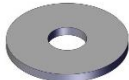




Doc No: XXXXX

Revision: 01

Composer file: XXXXX

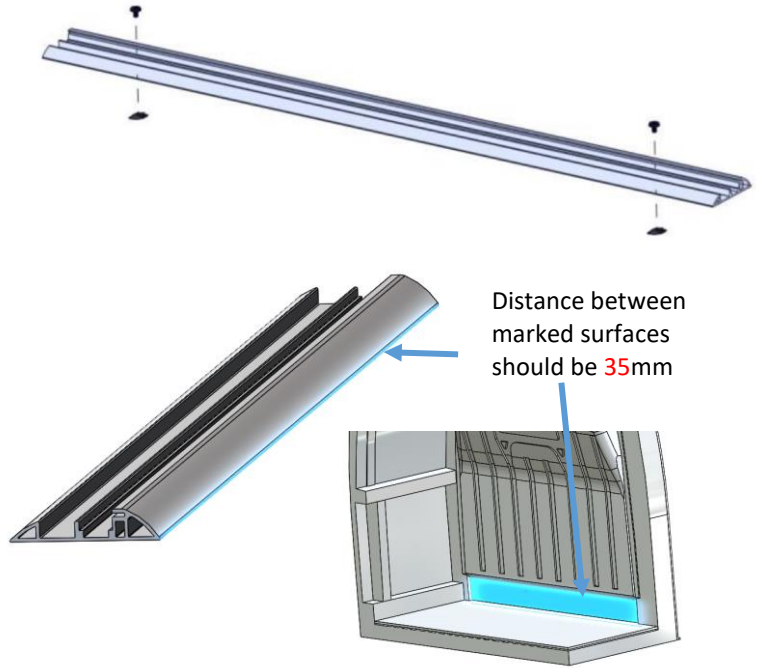


Fittings

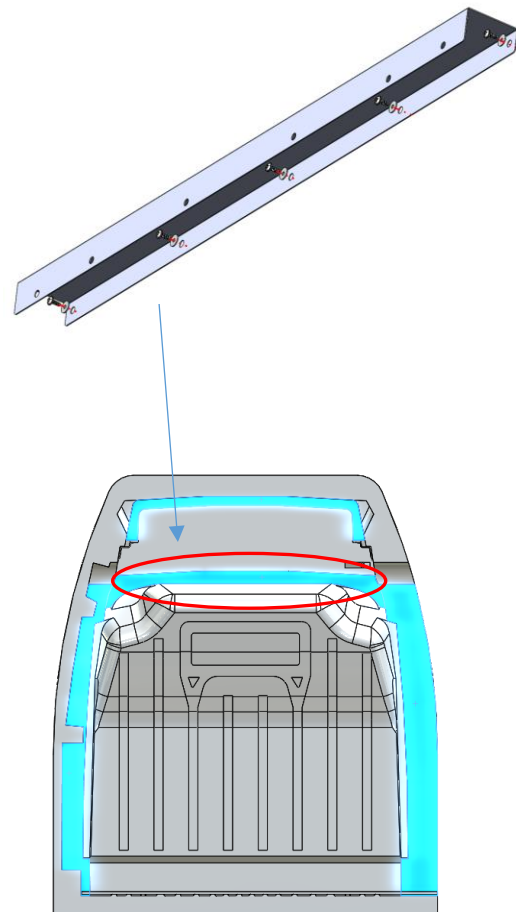
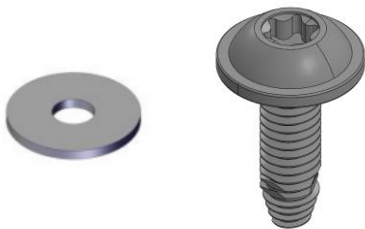
<ul style="list-style-type: none"> - Transit H2 Bulkhead 			
<ul style="list-style-type: none"> - Bottom rail - Side brackets, left & right - Top cover bracket - Top bracket 			
<p>Threadforming screw M6x18</p> 	<p>R4517 - Screw MRT M6x8 FZB</p> 	<p>R50350 - T-track nut M6 8x23x8</p> 	<p>R6265 - M6 Spacer 10x1,5x26</p> 
<p>R6262 - Door handle</p> 	<p>18553 - Door holder</p> 	<p>R6334 - Screw RXS 4,2x38 FZB</p> 	<p>R6336 - M6 Washer 6,4x20x1,5</p> 
<p>R6329 - Screw MRT M6x35 FZB</p> 	<p>R6300 - Locking Nut w flange M6 FZB</p> 	<p>R50617 - Safety screw 10,8 M8x12</p> 	<p>R6312 - T-track nut M8 12x35x8</p> 

Instructions

- Mount the bottom profile on the floor rails. Use M8x12 and T-track M8. With torque 30 Nm.
- If there is no floor rail, use appropriate length M8 screws and safety nuts.
- Note: Check position of rail with wall mounted before fastening it.



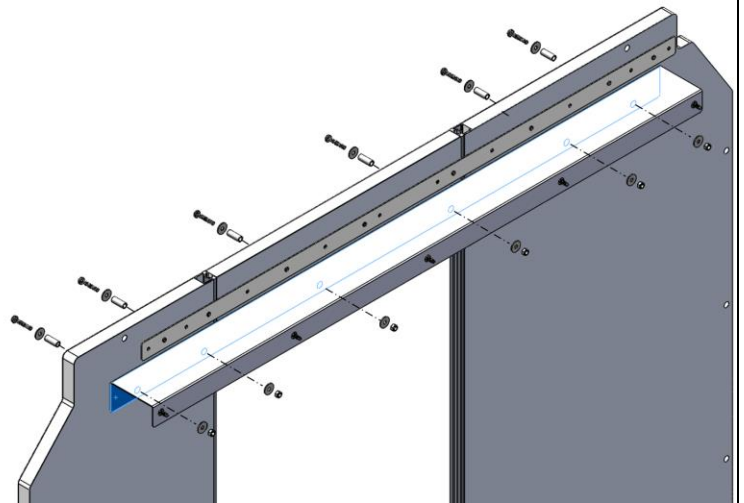
- Mount the top bracket to the middle beam.
- Use M6x18 Thread forming screws and washer and fix the beam with 5 Nm.



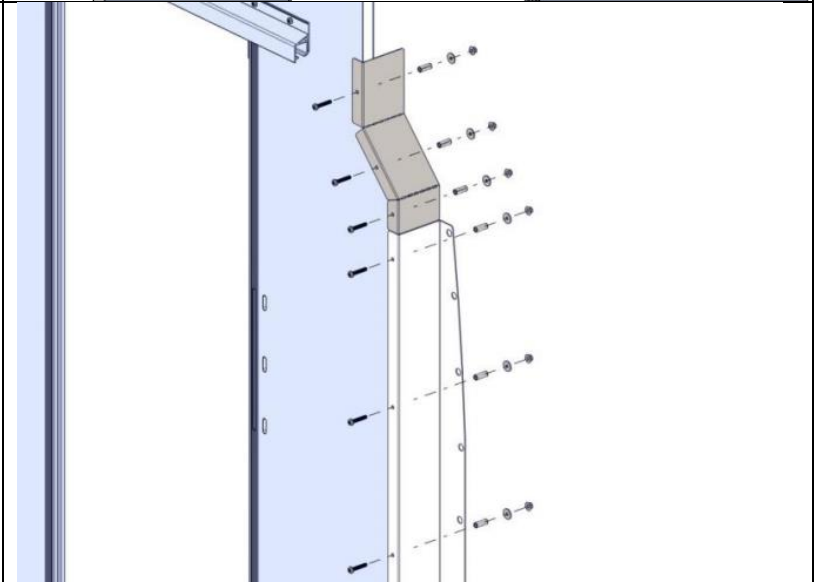
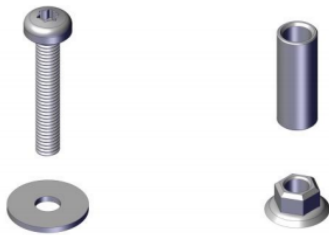
- Place the wall on the bottom rail.



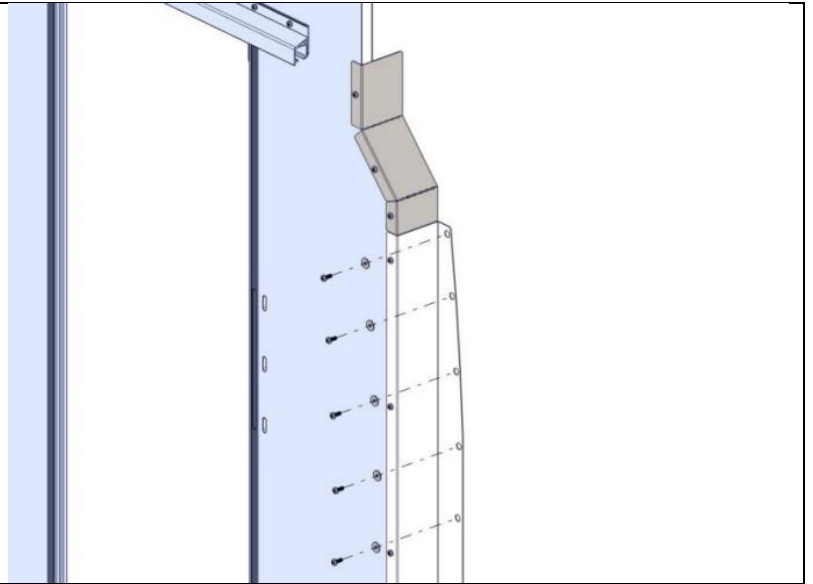
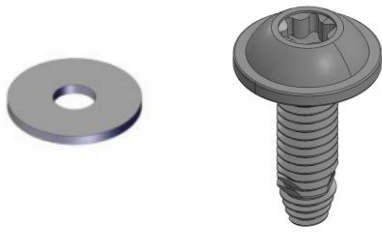
- Mount the wall to the top bracket. Place spacer in all holes, use washers before fixing with M6x35 FZB screws and M6 nuts with torque 10 Nm.



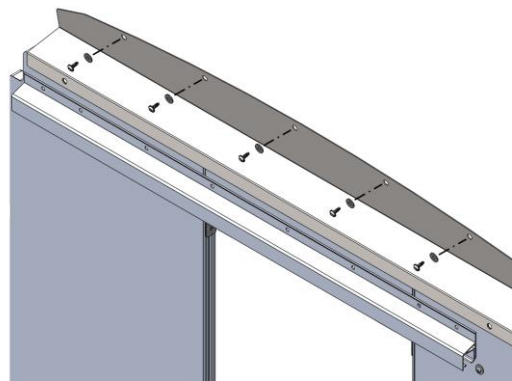
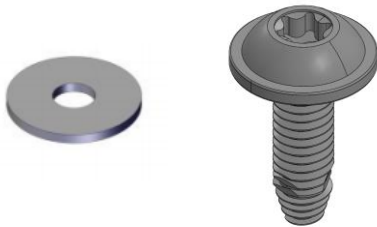
- Fix side brackets to the wall on both left and right.
- Use M6x35 FZB screws. Put spacers from the back, add washer then fix with nuts with flange. Use torque 10 Nm.



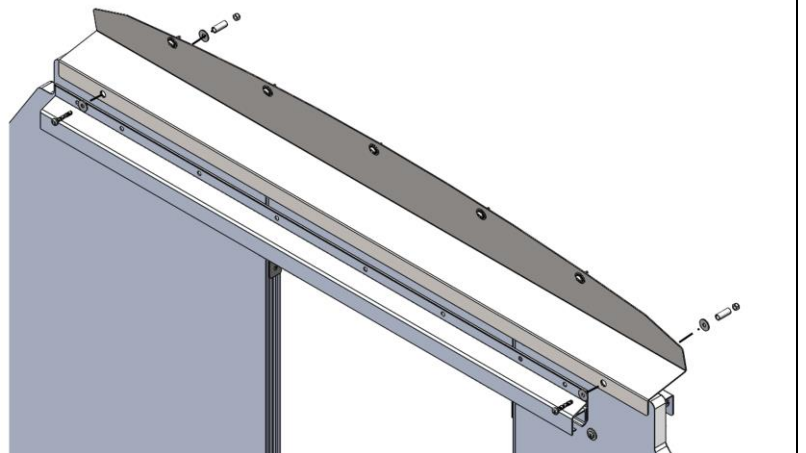
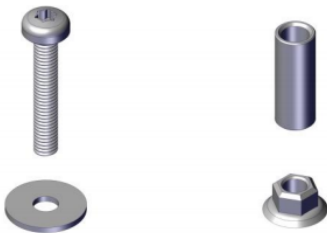
- Fix side brackets to the car beam.
- Use M6x18 Thread forming screws; put the washer in between the screws and the flange and fix with 5 Nm.



- Fix top cover bracket on the top beam using washer and M6x18 Thread forming screw. Use torque 5 Nm



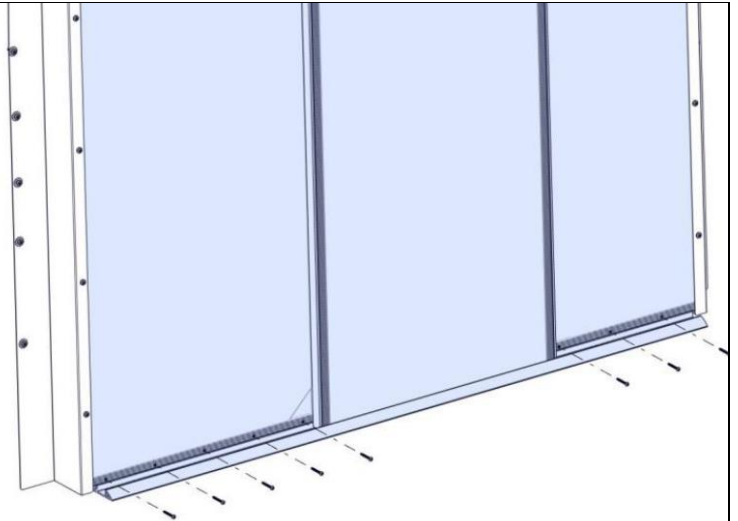
- Fix top bracket on the wall using M6x35 FZB screws. Insert spacers and add washer then fix with nuts with flange. Use torque 10 Nm.



- Fix the bottom of the wall to the rail with self cutting screw 4,2x38mm. Use torque 5 Nm.



- Remove support bar.



- Push the handles (R6262) together through the hole in the door and mount the screws.



- Fix the Door holder (18553) with a M6x8 screw (R4517) and a T-track nut (R50350).

